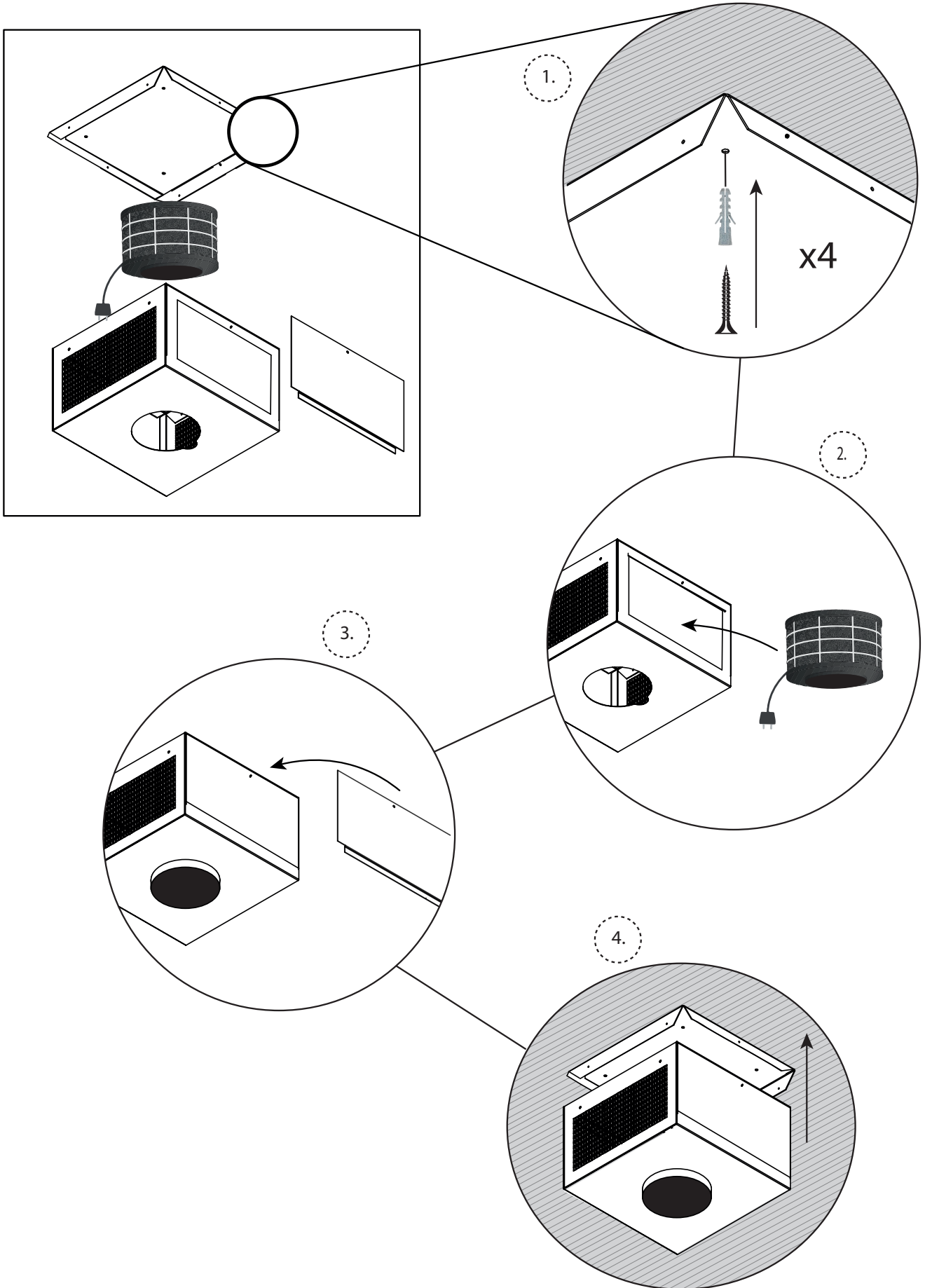


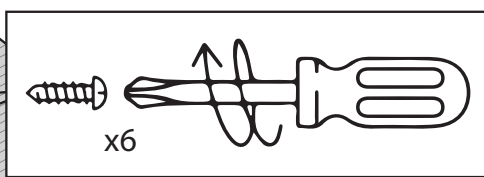
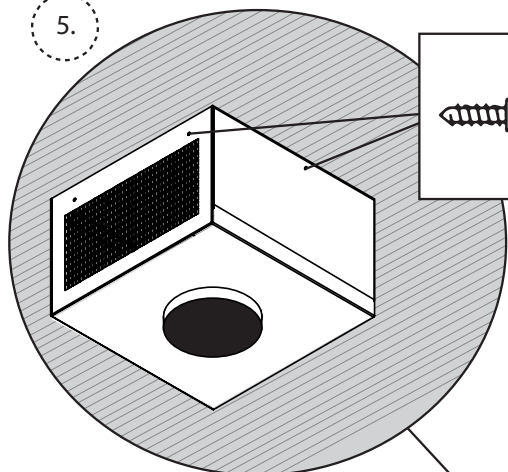
A 3D wireframe illustration of a rectangular shield with a grid pattern on its front face and a circular opening on its top surface. A thick horizontal line is drawn across the middle of the shield.

PLASMEX SKJULER FH OG VÆG

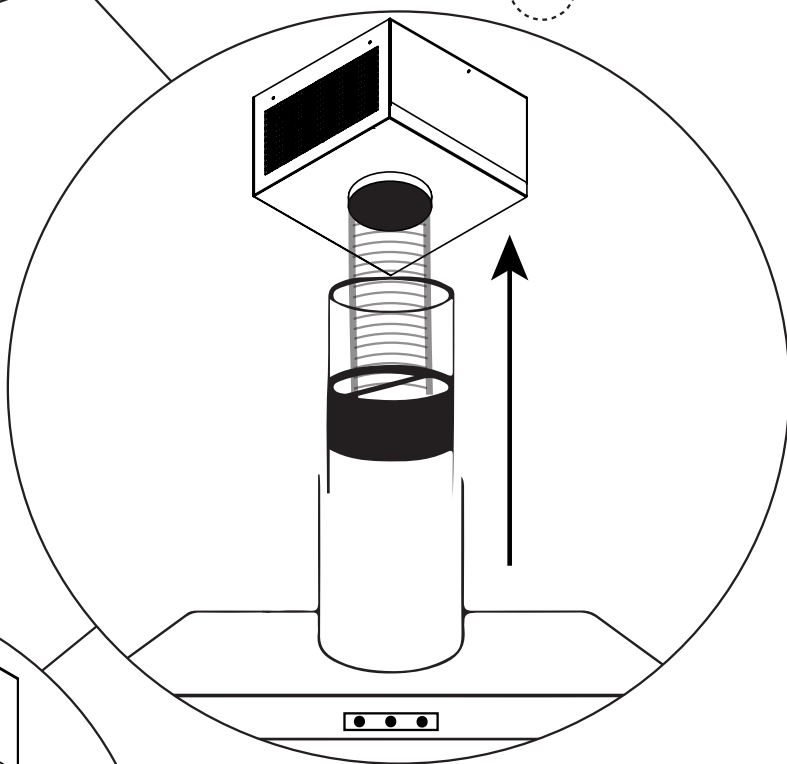




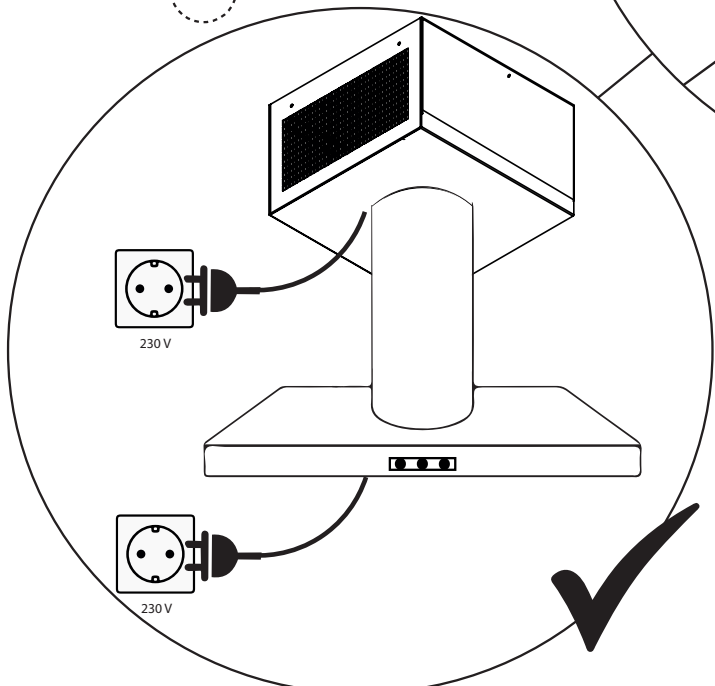
5.



6.



7.



**THERMEX SCANDINAVIA A/S**

Farøvej 30 ■ 9800 Hjørring ■ Danmark
Tlf. +45 98 92 62 33
www.thermex.dk
service@thermex.dk

THERMEX SCANDINAVIA AS

Tel. +47 22 21 90 20
www.thermex.no
service@thermex.no

THERMEX SCANDINAVIA AB

Importgatan 12 A ■ 442 46 Hisings Backa ■ Sverige
Tel. +46 031 340 82 00
www.thermex.se
info@thermex.se

THERMEX SCANDINAVIA S.L.U.

Noi del Sucre 42 ■ 08840 Viladecans ■ España
Tel. +34 936 373 003
www.thermex.es
info@thermex.es

THERMEX SCANDINAVIA A/S

Puhelin +358 942 454 000
www.thermex.fi
info@thermex.fi

